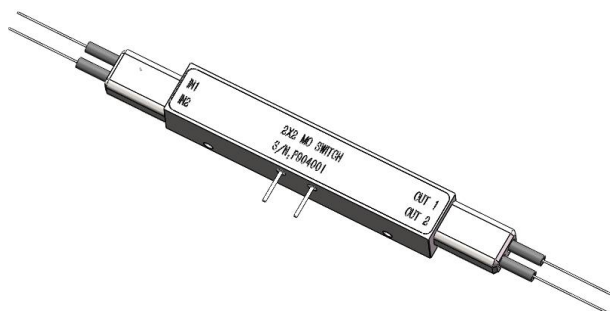


产品特点

- 无移动组件
- 切换速度快
- 极其稳定的锁存模式
- 低功耗
- 极好的稳定性和可靠性



应用范围

- 无源光网络
- 光保护系统
- 测量系统
- 网络监控

技术参数

参数	单位	HC-MO-2×2		单位
		单向	双向	
Wavelength Range(波长范围)	nm	1525 ~ 1565		Other band
Insertion Loss (插入损耗)	dB	0.7(Typ.);1.1(Max)	0.8(Typ.);1.2(Max)	
PDL (偏振相关损耗)	dB	0.10(Typ.);0.20(Max)	0.10(Typ.),0.30(Max)	
Return Loss (回波损耗)	dB	45	30	
Crosstalk (串扰)	dB	40	30	
Repeatability (重复性)	dB	+/- 0.01		
Durability (使用寿命)	Cycles	> 100 Billions		
Switching Speed (切换速度)	s	Regular (50~200); Ultra-fast (5~20)		
Maximum Optical Power (功率)	mW	500		
Storage Temperature (存储温度)	°C	-40 ~ 85		
Operating Temperature (工作温度)	°C	-5 ~ 70		
Dimension(L×W×H) (尺寸)	mm	63 × 8 × 7		

电控参数

Parameter	Specification		Unit
	Regular	Ultra-fast	
Switching Speed	50~200	5~20	μs
Switching Voltage(VCC)	3(+/-5%)	5.0~6.0	V
Switching Current	< 200	< 500	mA
Pulse Width(typical)	1000	20	μs
Claim Frequency	< 800	< 3000	Hz

驱动管脚定义

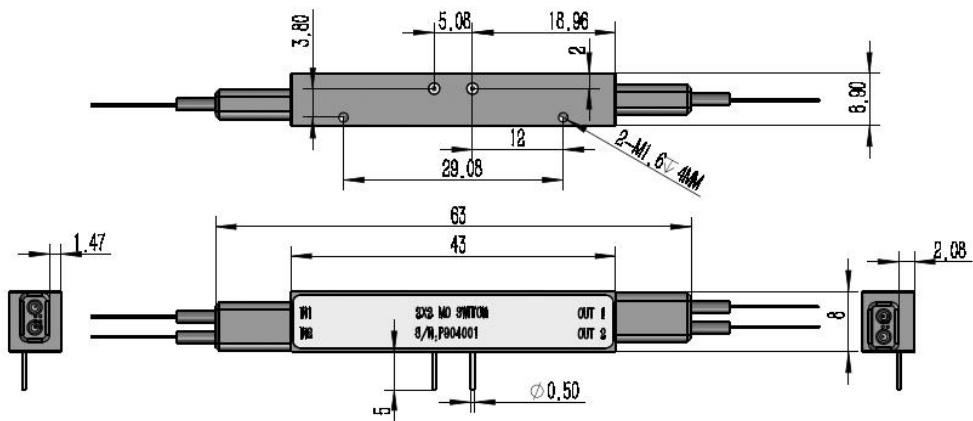
单向

Switching State	Pin1	Pin2	The Optical Output Port
State "0"	1(Voltage = VCC)	0(Voltage = GND)	IN1→OUT 1; IN2→OUT 2
State "1"	0(Voltage = GND)	1(Voltage = VCC)	IN1→OUT 2; IN2→OUT 1

双向

Switching State	Pin1	Pin2	The Optical Output Port
State "0"	1(Voltage = VCC)	0(Voltage = GND)	IN1↔ OUT 1; IN2↔ OUT 2
State "1"	0(Voltage = GND)	1(Voltage = VCC)	IN1↔ OUT 2; IN2↔ OUT 1

外形尺寸(mm)



订购信息: HC-MO-2×2-A-B-C-D-E-F

A	B	C	D	E	F
Working Mode	SwitchingSpeed	Operating Wavelength	Fiber Tuber	Fiber Length	Connector Type
1.Regular 2. Bidirectional	1.50~200us 2.5~20us 3. Others	1.C Band1525~1565 nm 2. L Band 1565-1615 nm 3. C & L Band 4. Others	1.250μm fiber 2. 900μm fiber 3. Others	1.0.5 +/- 0.1 m 2. 1.0 +/- 0.1 m 3. Others	0.No Connector 1. FC/UPC 2. FC/APC 3. SC/UPC 4. SC/APC 5. LC/PC 6. MU/PC 7. Others