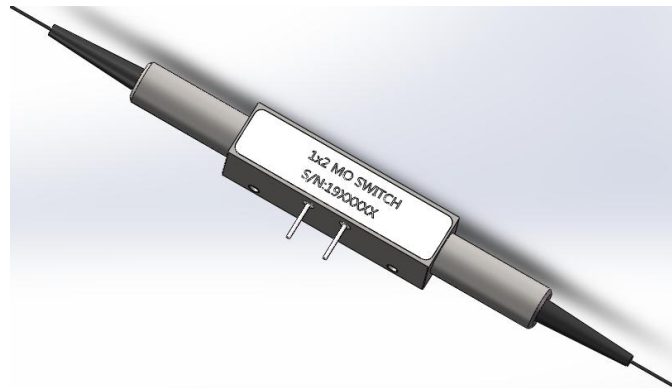


产品描述

- 1x2 or 2x1 光开关是一种固态光开关，内部没有任何移动组件，是基于法拉第效应实现的。该系列产品利用电磁感应原理和法拉第旋光效应改变入射光束的偏振态，结合使用双折射偏振分光晶体，使光束传播路径发生改变，从而实现光路切换的功能。

特性

- 无移动组件
- 切换速度快
- 极其稳定的锁存模式
- 低功耗
- 极好的稳定性和可靠性



应用

- 高速保护
- 系统监控
- 测试测量
- 光纤传感系统

技术参数

Item	Unit	Parameters		Notes
		Unidirectional	Bidirectional	
Wavelength Range	nm	1525~1565		Other band optional
Insertion Loss	dB	0.8(Typ.);1.1(Max.)	0.8(Typ.);1.1(Max.)	
Return Loss	dB	≥40 (Typ 50)	≥40	
Cross-talk	dB	≥40 (Typ 50)	≥40	
ER	dB	≥18		
WDL	dB	≤0.3		
TDL	dB	≤0.3		
Repeatability	dB	+/- 0.01		
Durability	cycles	Regular (>100Billions) ; Ultra-fast(>1000Billions)		
Switching Speed	μs	Regular (50~200); Ultra-fast (5~20)		Other speed optional
Operating Temperature	^{POP} C	-5~70		
Storage Temperature	^{POP} C	-40~85		
Maximum Optical Power	mW	500		High power optional
Dimension(L×W×H)	mm	32.8x8×7		(含端帽 51.8x8x7)

Note:

1. All the specifications are based on the devices without connectors, and guaranteed over wavelength, polarization and temperature.
2. Specifications are subject to change without notice.

电学参数

Parameters	Specifications		Unit
	Regular	Ultra-fast	
Switching Speed	50~200	5~20	μs
Switching Voltage (VCC)	3(+/-5%)	5~6	V
Switching Current	< 100	< 350	mA
Driving Mode	Voltage or Pulse Driving	Pulse Driving	NA
Pulse Width (typical)	1000	20	μs
Claim Frequency	<800	< 3000	Hz

引脚控制定义

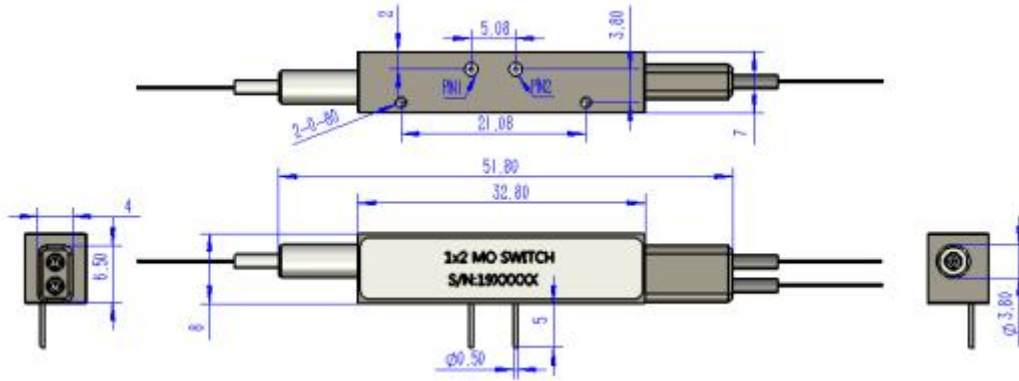
不可逆:

Pin1	Pin2	The Optical OutputPort
1(Voltage = VCC)	0(Voltage = GND)	IN→OUT1
0(Voltage = GND)	1(Voltage = VCC)	IN→OUT2

可逆:

Pin1	Pin2	The Optical Output Port
1(Voltage = VCC)	0(Voltage = GND)	IN ↔ OUT1
0(Voltage = GND)	1(Voltage = VCC)	IN ↔ OUT2

机械尺寸 (mm)



订购信息: HC-MO-1×2T-PM-A-B-C-D-E-F-G-H

A	B	C	D	E	F	G	H
Working Mode	Switching Speed	Operating Wavelength	Axis Type	Fiber Tuber	Fiber Length	Fiber Type	Connector Type
1.Regular 2. Bidirectional	1.50~200us 2.5~20us 3. Others	1.CBand 1525~1565 nm 2.LBand 1565-1615 nm 3. C & L Band 4. Others	1.B(Both of axis working) 2.F(Fast axis blocked)	1.250μm 2.900μm 3. Others	1.0.5 +/- 0.1 m 2. 1.0 +/- 0.1 m 3. Others	1.PM98 2.PM15 3.PM13 4.Others	0.No Connector 1. FC/UPC 2. FC/APC 3. SC/UPC 4. SC/APC 5. LC/PC 6. MU/PC 7. Others