

Features

- ☐ Telcordia GR-1221 and GR-1209 Compliance
- ☐ Compact size
- ☐ Low insertion loss
- ☐ Excellent temperature stability

Applications

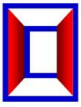
- ☐ Broadband Systems
- ☐ Optical Add/Drop Multiplexing
- ☐ Metro/Access Communication Networks
- ☐ Fiber Optic Instruments

Specification:

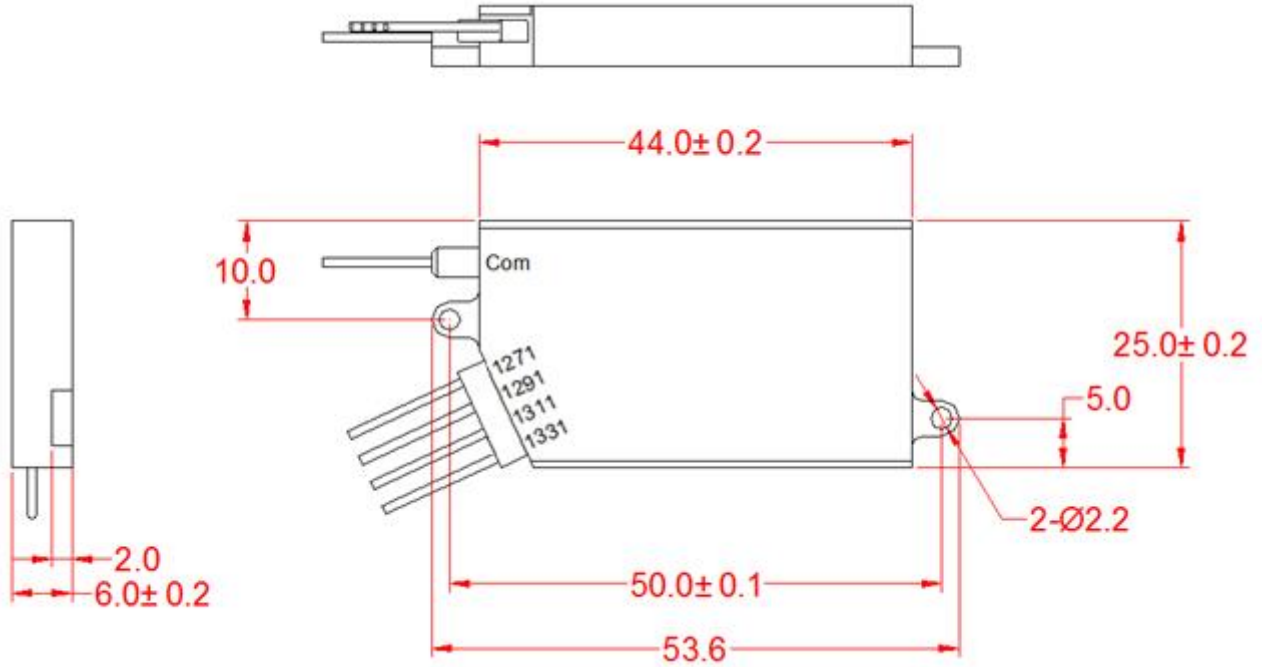
Parameter	Unit	Spec
Channel Spacing	nm	20
Central Wavelength	nm	1270~1610/1271~1611
Operating Wavelength Range	nm	1260~1620
Channel Bandwidth@0.5dB	nm	+/-6.5
Number of Channel	—	4
CWDM Channel Insertion Loss	dB	< 1.2
EXP Insertion loss(optional)	dB	< 1.2
Ripple	dB	<0.5
Adjacent Channel Isolation	dB	> 30
Non-adjacent Channel Isolation	dB	> 40
EXP Isolation(optional)	dB	> 15
PDL	dB	< 0.2
RL	dB	> 45
Directivity	dB	> 50
Power Handling	mW	< 300
Operating Temperature	°C	-40~+85
Storage Temperature	°C	-40~+85
Fiber Type	—	SMF-28e
Connector Type	—	Customer Specify
Dimensions	mm	44(L)×25(W)×6(H)

1. All specifications include the effect of operating temperature and all states of polarization.

2. Values referenced without connectors and insertion loss for a connector-pair is 0.20dB (typ.) and 0.30dB (max.).



Dimension(mm) 44(L)×25(W)×6(H)



Order Information: HC-CCWDM-A-B-C-D-E

A	B	C	D	E
Number of Channel	1st Channel	Fiber Type	Fiber Length	In/Out Connector
04=4 Channel SS=special	27=1271nm 47=1471nm 49=1491nm 61=1611nm SS=special	1=Bare fiber 2=900um loose tube	1=1m 2=2m S=Specify	0=None 1=FC/APC 2=FC/PC 3=SC/APC 4=SC/PC 5=ST 6=LC S=Specify